

# CRESCENT

## MANUAL

Read this manual carefully before using and keep for future reference. Visit [www.moon-sport.com](http://www.moon-sport.com) for manual updates.

### FEATURES

- 1 pc COB 15 chips high brightness red led
- Rechargeable lithium polymer battery (3.7V 300mAh)
- USB rechargeable
- 3 steady modes, 3 flashing modes
- Quick release universal bracket (fits all round and AERO style bars)
- Low battery, charging and fully charged indicator
- Automatic fully charged cut-off system
- Side visibility
- Recharge time 2hrs
- Water resistant (IPX4)

### CONTENTS

- CRESCENT  
 RB-22 (Universal bracket)  
 2 O-rings for mounting:  
 RS-G for #20-35mm  
 RS-H for #35-52mm  
 USB-micro (USB cable)  
 BK-21 (Belt clip)

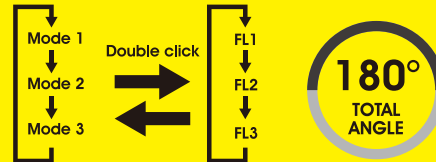
### Optional accessories:

- RB-19 (Rear rack mount bracket)  
 RB-21 (Saddle rail bracket)  
 RB-23 (Helmet bracket)  
 RB-28 (GoPro mount adapter)



### OPERATION

1. Press power button to turn on the light.
2. Press power button to choose modes.
3. Double click power button to toggle between steady and flashing modes.
4. Press power button for 1 sec to turn off the light.

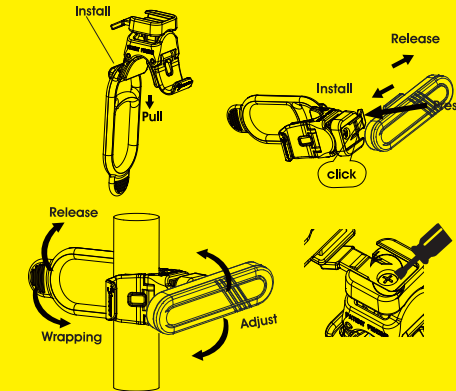


### RUNTIME

	Mode1	Mode2	Mode3	FL1	FL2	FL3
LUMEN	8	15	25	15	25	15
H:MIN	5:20	3:00	1:30	6:00	2:40	4:20
1M LUX	2	3.9	8	/	/	/
2M LUX	0.6	1.1	2.2	/	/	/

### SEATPOST MOUNTING

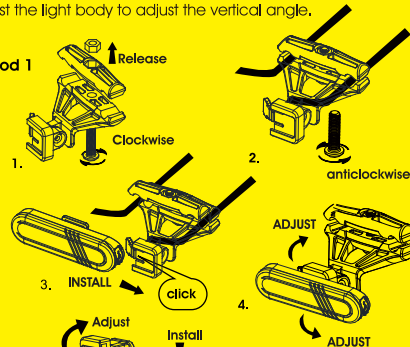
1. Choose the strap to fit in the seatpost.
2. Make sure the strap is click in place of the hook.
3. Hold the light on the seatpost.
4. Wrapping rubber strap around seatpost and stretching strap around hook to secure.
5. Slide the light forward onto bracket until it clicks into place.
6. Press down release lever to remove.



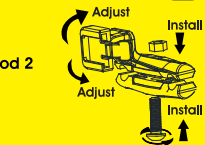
### SADDLE RAIL MOUNTING (Optional)

1. Loosen the screws in the saddle bracket with the Allen key.
2. Clamp the bracket onto the saddle rail.
3. Align the screw holes, using the Allen key to tighten the bracket.
4. Slide light forward onto bracket until it clicks into place.
5. Press down release lever to remove.
6. Twist the light body to adjust the vertical angle.

#### Method 1

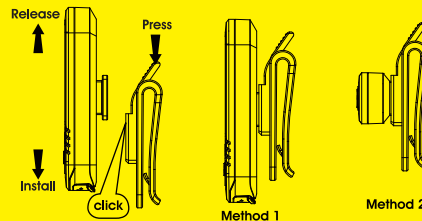


#### Method 2



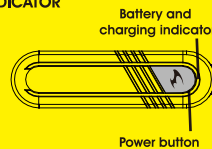
### BELT CLIP MOUNTING

1. Slide light forward onto belt clip until it clicks into place.
2. Press down release lever to remove.



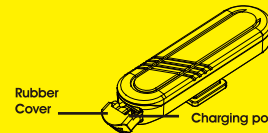
### LOW BATTERY AND CHARGING INDICATOR

- ✦ Low battery
- ✦ Flashing Blue
- ✦ Charging indicator
- ✦ \* Flashing Blue - Charging
- ✦ \* Steady Blue - Charged



### BATTERY CHARGING AND CARE

1. Turn off the light.
2. Lift the rubber cover.
3. Plug the USB cable into charging port.
4. Plug the USB cable to wall or computer USB socket.
5. Charging indicator will be on, Unplug the cable after fully charged.



### BATTERY CARE

- \* Do not charge over 5V, the battery will result in damage.
- \* Keep away from flammable objects while charging as this may lead to fire or battery explosion.
- \* Battery may get high temperatures during charging (up to 104°F/40°C). The battery capacity may become ineffective about 80% of its value after 300charge/discharge cycles.
- \* The battery voltage and capacity decrease apparently at low temperatures, especially near or below ice point. The capacity decreases 5%-10% at freezing (burn time decreases 50%). At -20°C, the capacity decreases 30% (burn time decreases 70%). The battery performance will return normal when the temperature gets up to 70°F/20°C.
- \* Keep the battery in cool and dry place when storing. Recharge the battery fully at least every 3 months.

### WARNING

- \* Understand country lighting laws and regulations before use.
- \* Do not shine directly in the eyes.
- \* Light may get hot when in use.
- \* Adjust the angle downward to prevent from blinding the oncoming vehicles on the public roads.
- \* Do not submerge the battery or the whole light into water.
- \* Unplug the light, charger and cable once the battery is fully charged.
- \* Do not dismantle the light which will void warranty.
- \* Do not leave the light on and unattended.
- \* Keep the light away from fire and combustible materials.
- \* Do not store head unit when hot or straightway after use.

### WARRANTY

MOON Lights are covered by a ONE YEAR LIMITED WARRANTY from the date of purchase is free from defects in material and workmanship. This warranty does not apply to damage due to heat, physical damage resulting from abuse, neglect, improper repair, improper fit, or alterations of the fixture. This covers the lights and cables only. Batteries are covered by 120 days warranty not including battery normal wear.

All customers should contact the local dealer or regional distributor for warranty service. To make a claim, first contact original dealer or distributor. Some issues may be resolved upon the initial call. If return of the product is necessary, use traceable method such as FedEx or UPS. MOON is not responsible for lost or misdirected packages.

Please include your full contact information (name, address, phone number, and email [if applicable]), and a description of the issue.

For more information please contact us at [cs@moon-sport.com](mailto:cs@moon-sport.com).